

Fireplace insert Varia ASh-4S-2

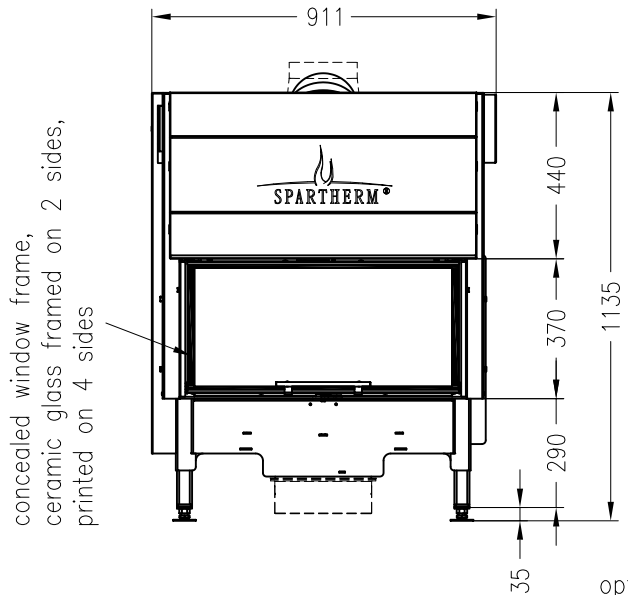
elevating door



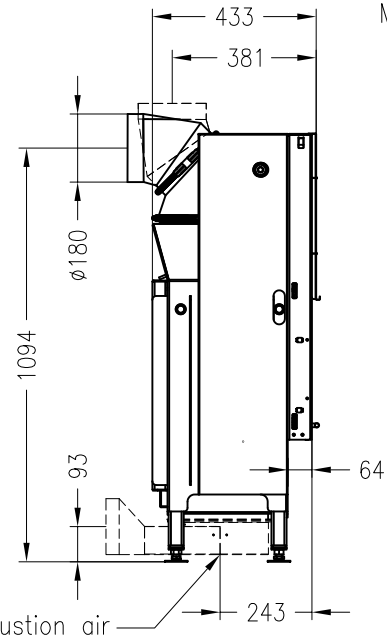
Linear 2

as at: 12/2012

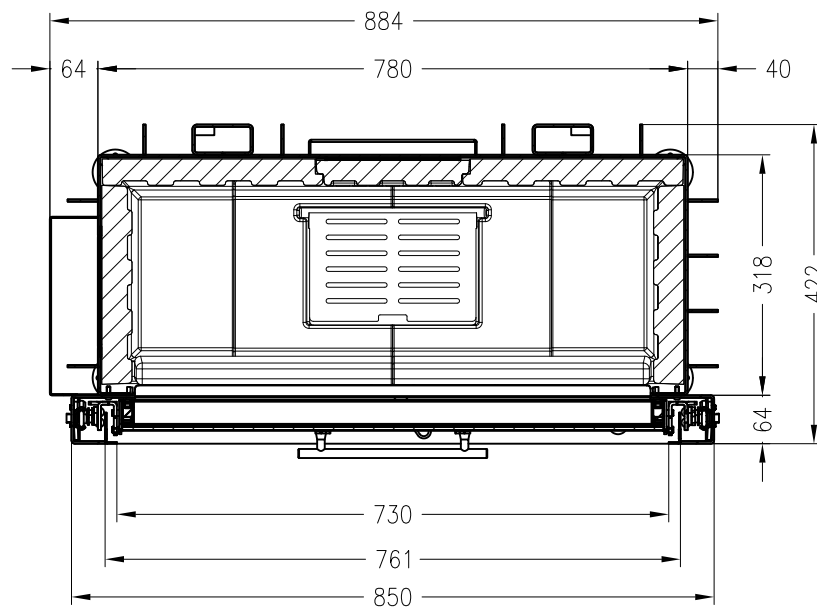
front view
M~1:20



side view
M~1:20



horizontal section
M~1:10



All representations and drawings are protected by applicable copyright laws.
Utilisation or publication, including individual details, only with our written approval.
Technical data subject to change. Errors and omissions excepted.

Fireplace insert Varia ASh-3S-2

elevating door

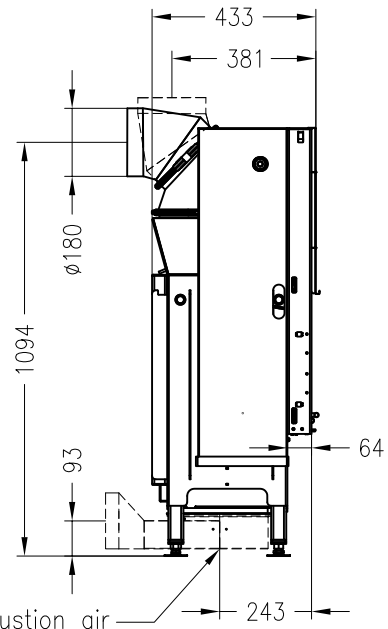
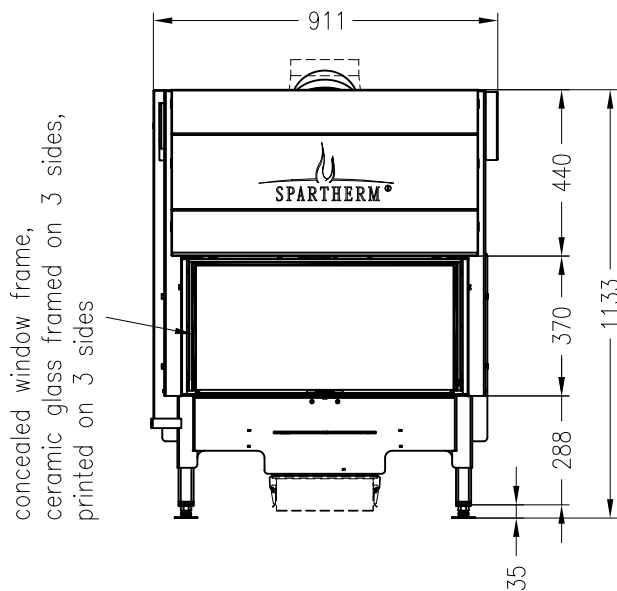


Linear 2

as at: 12/2013

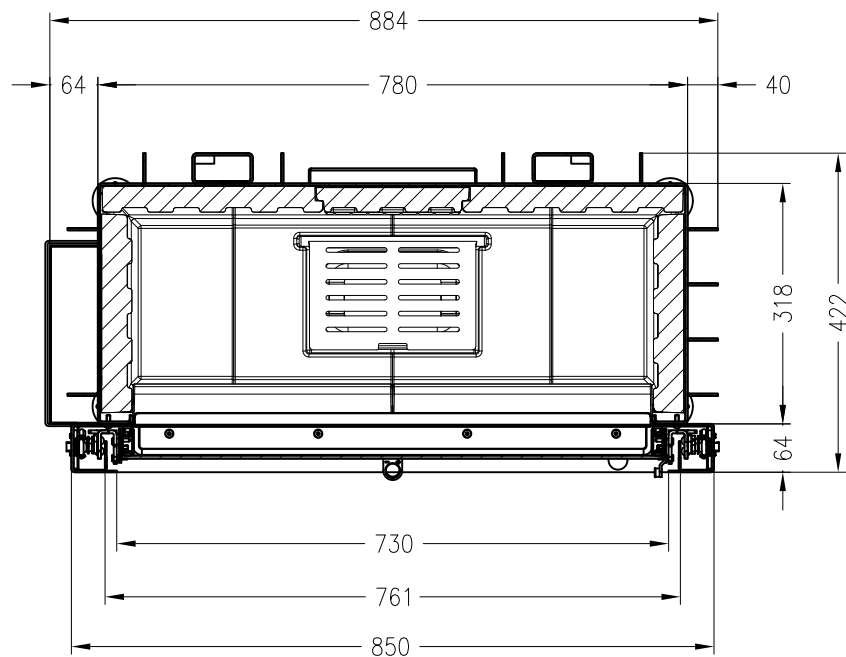
front view
M~1:20

side view
M~1:20



optional combustion air
connecting piece ø150mm

horizontal section
M~1:10



All representations and drawings are protected by applicable copyright laws.
Utilisation or publication, including individual details, only with our written approval.
Technical data subject to change. Errors and omissions excepted.