

Fireplace insert Speedy Ph-4S

elevating door

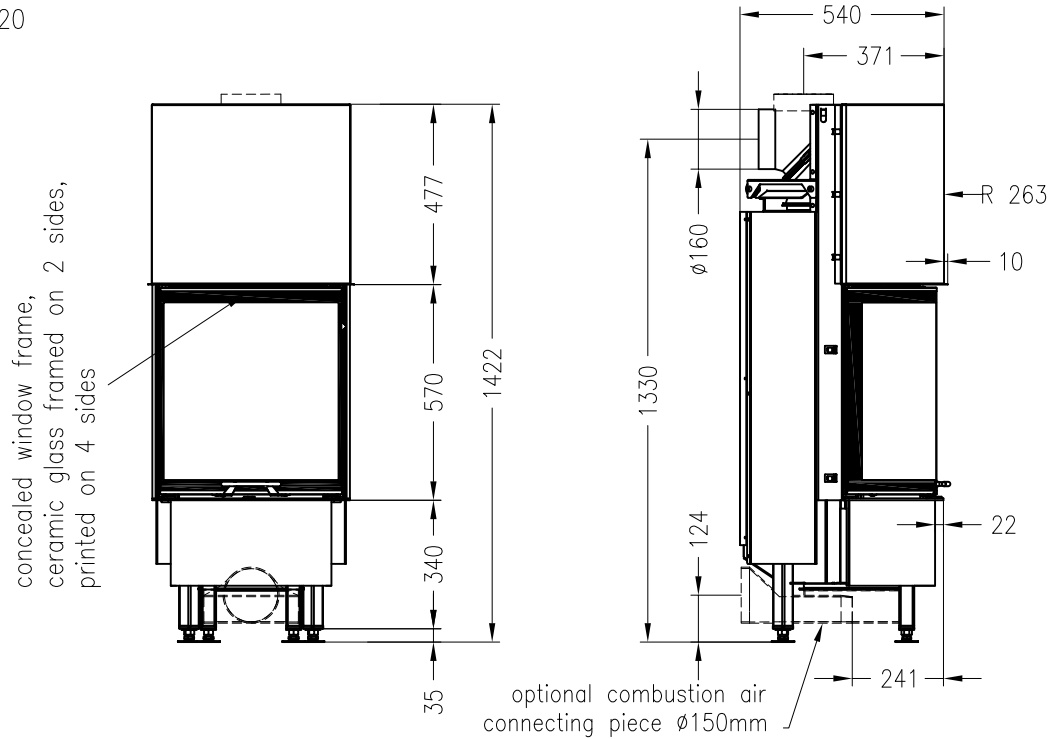


Linear 4S

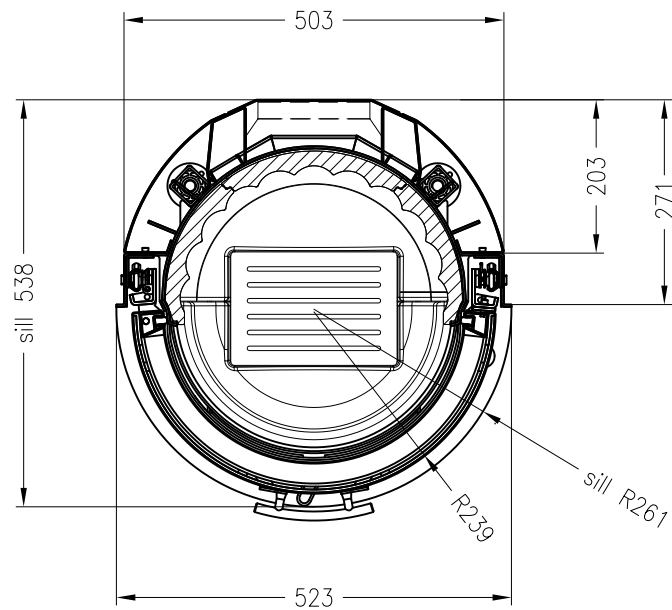
as at: 02/2012

front view
M~1:20

side view
M~1:20



horizontal section
M~1:10



All representations and drawings are protected by applicable copyright laws.
Utilisation or publication, including individual details, only with our written approval.
Technical data subject to change. Errors and omissions excepted.