

# Fireplace insert Mini Z1 H<sub>2</sub>O-4S and Z1 H<sub>2</sub>O XL-4S

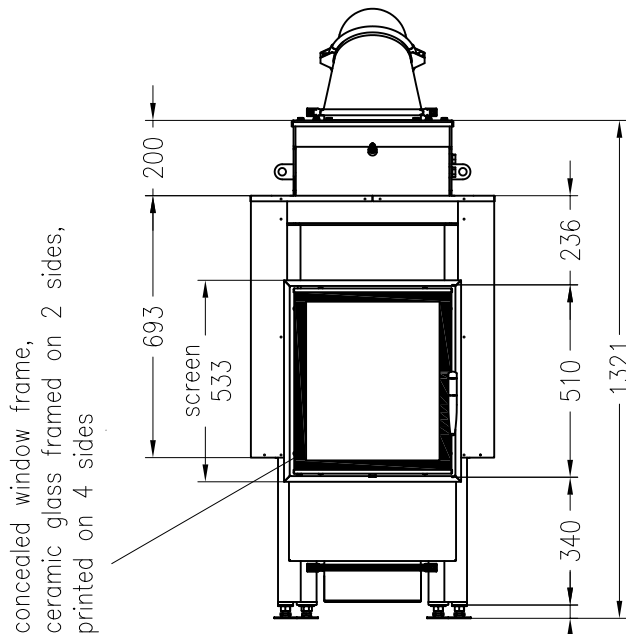
hinged door



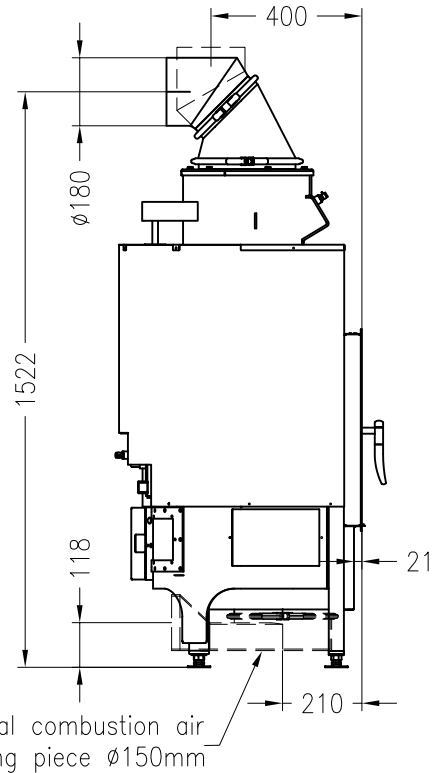
## Linear 4S

as at: 11/2010

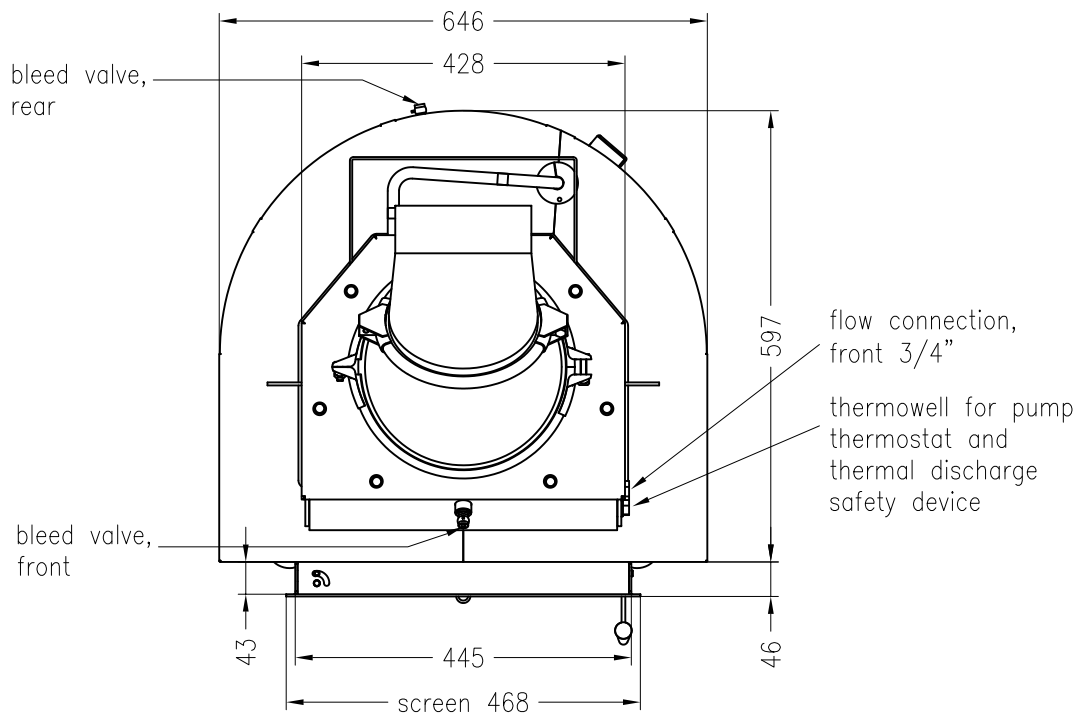
front view  
M~1:20



side view  
M~1:20



top view  
M~1:10



All representations and drawings are protected by applicable copyright laws.  
Utilisation or publication, including individual details, only with our written approval.  
Technical data subject to change. Errors and omissions excepted.