

# Fireplace insert Mini Sh-4S

elevating door



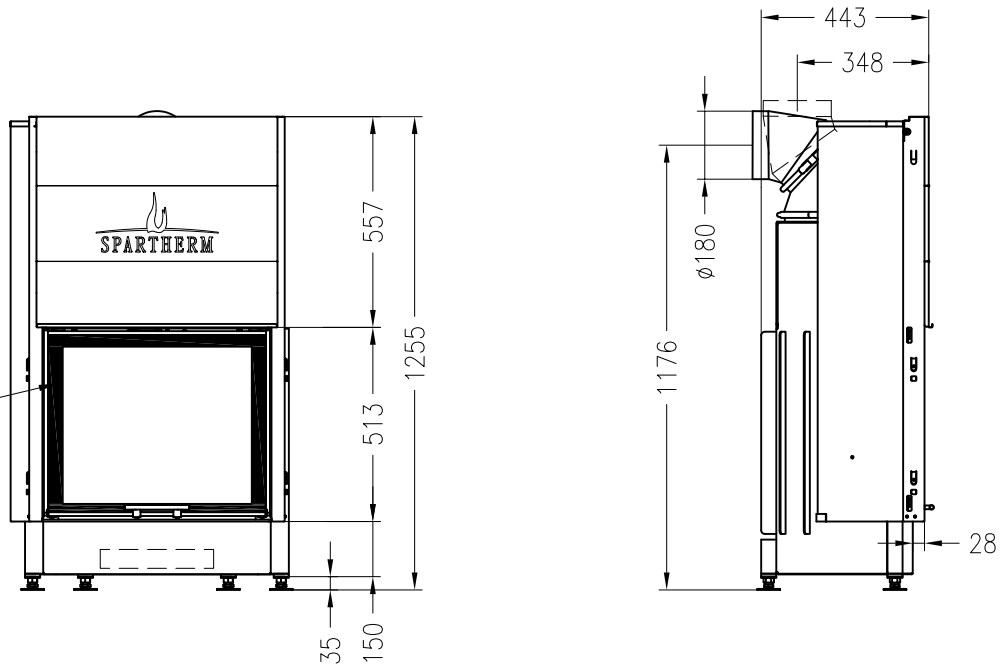
Linear 4S

as at: 11/2010

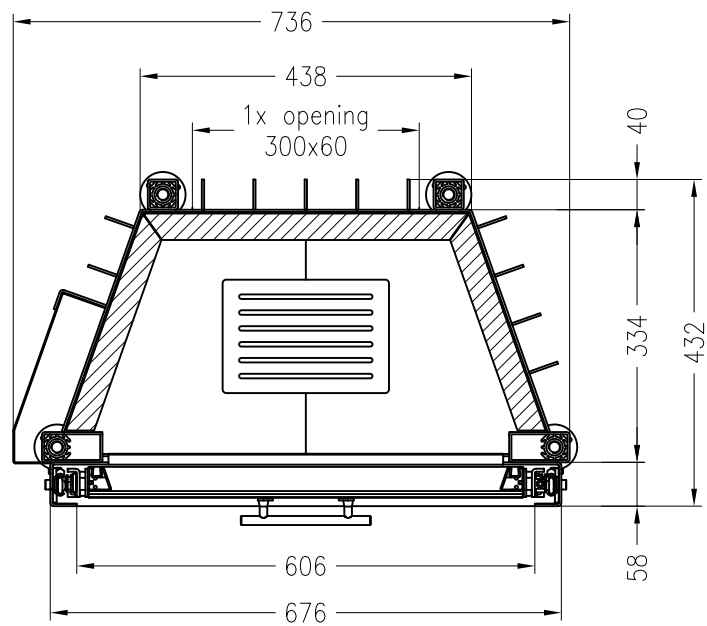
front view  
M~1:20

side view  
M~1:20

concealed window frame,  
ceramic glass framed on 2 sides,  
printed on 4 sides



horizontal section  
M~1:10



All representations and drawings are protected by applicable copyright laws.  
Utilisation or publication, including individual details, only with our written approval.  
Technical data subject to change. Errors and omissions excepted.

# Fireplace insert Mini Sh-3S

elevating door

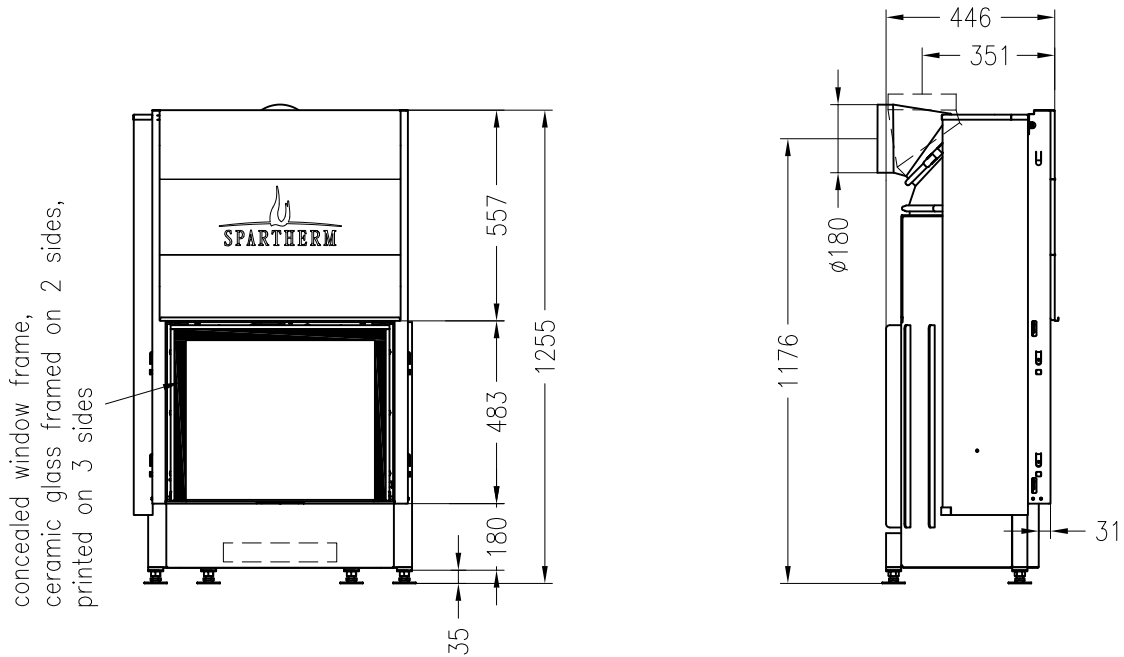


## Linear 3S

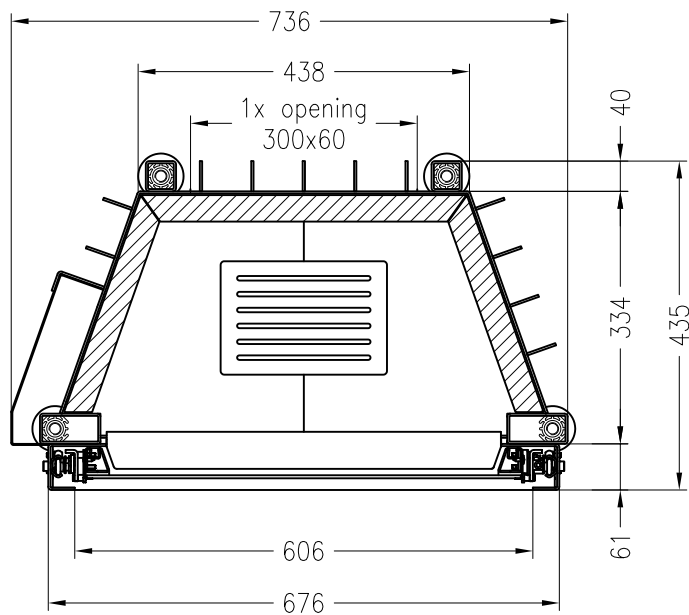
as at: 11/2010

front view  
M~1:20

side view  
M~1:20



horizontal section  
M~1:10



All representations and drawings are protected by applicable copyright laws.  
Utilisation or publication, including individual details, only with our written approval.  
Technical data subject to change. Errors and omissions excepted.