

Fireplace insert Mini S-FDh-4S

elevating door

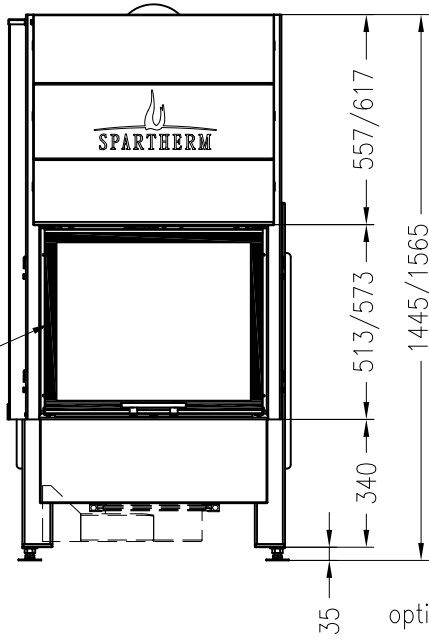


Linear 4S

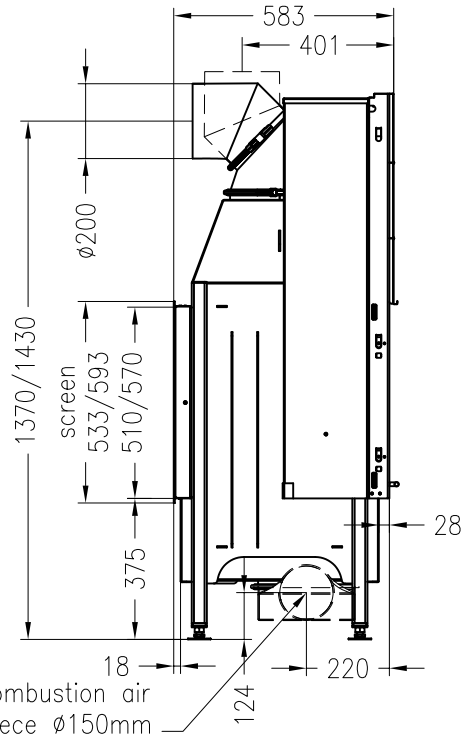
as at: 11/2010

front view
M~1:20

concealed window frame,
ceramic glass framed on 2 sides,
printed on 4 sides

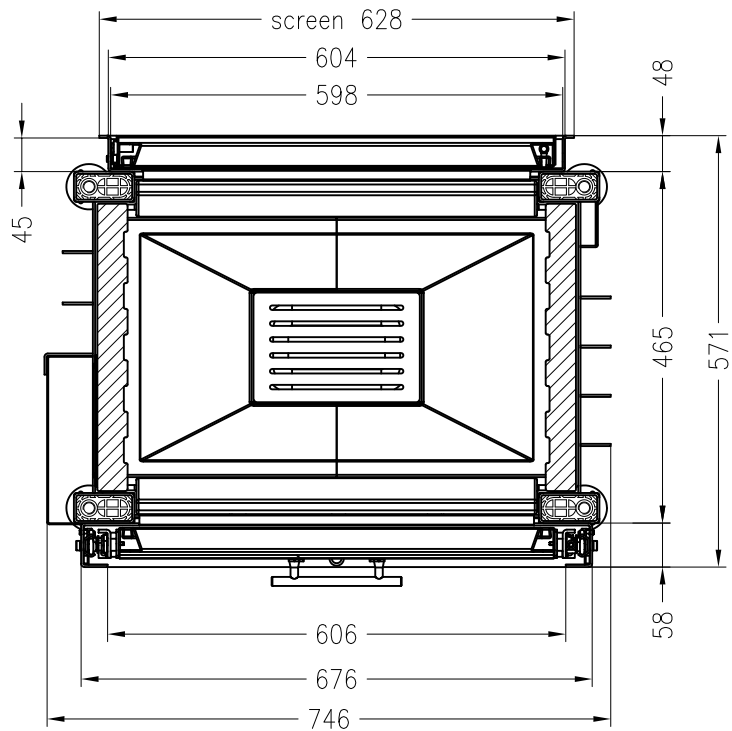


side view
M~1:20



optional combustion air
connecting piece $\varnothing 150\text{mm}$

horizontal section
M~1:10



All representations and drawings are protected by applicable copyright laws.
Utilisation or publication, including individual details, only with our written approval.
Technical data subject to change. Errors and omissions excepted.

Fireplace insert Mini S-FDh-3S

elevating door

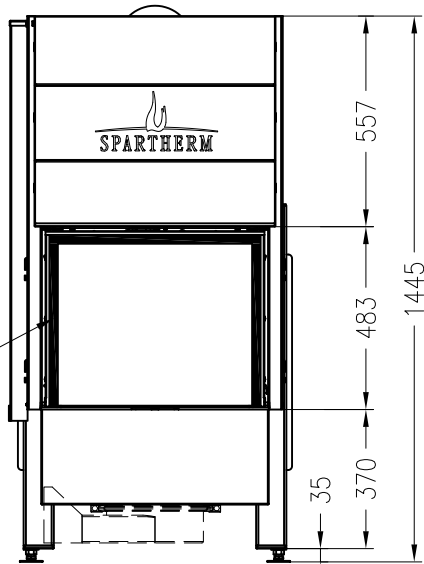


Linear 4S

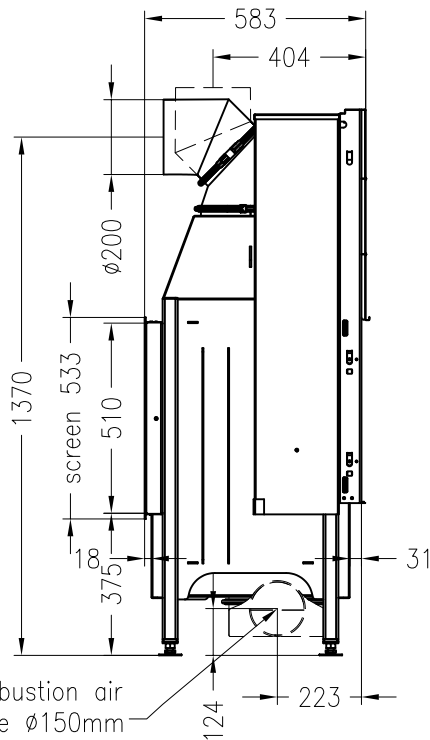
as at: 11/2010

front view
M~1:20

concealed window frame,
ceramic glass framed on 2 sides,
printed on 3 sides

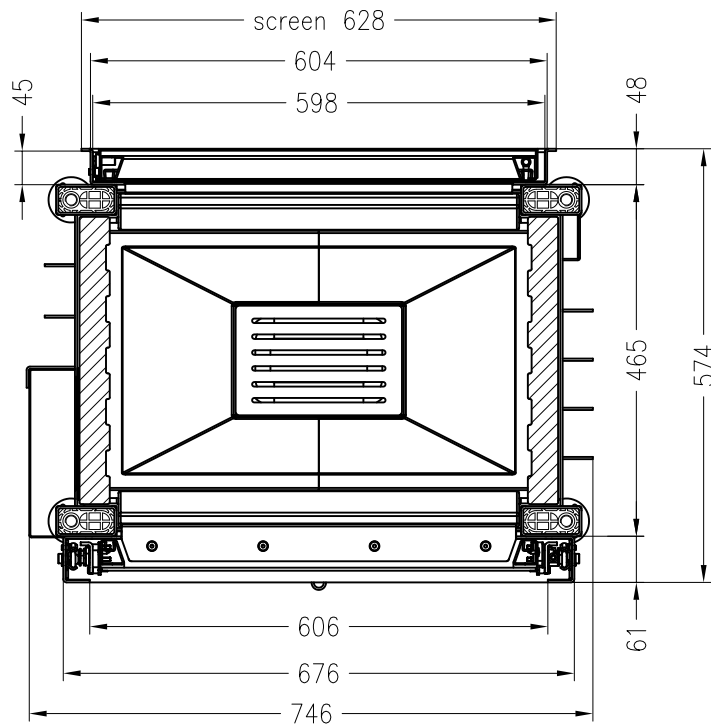


side view
M~1:20



optional combustion air
connecting piece $\varnothing 150\text{mm}$

horizontal section
M~1:10



All representations and drawings are protected by applicable copyright laws.
Utilisation or publication, including individual details, only with our written approval.
Technical data subject to change. Errors and omissions excepted.