

Fireplace insert Mini R1V-4S

hinged door

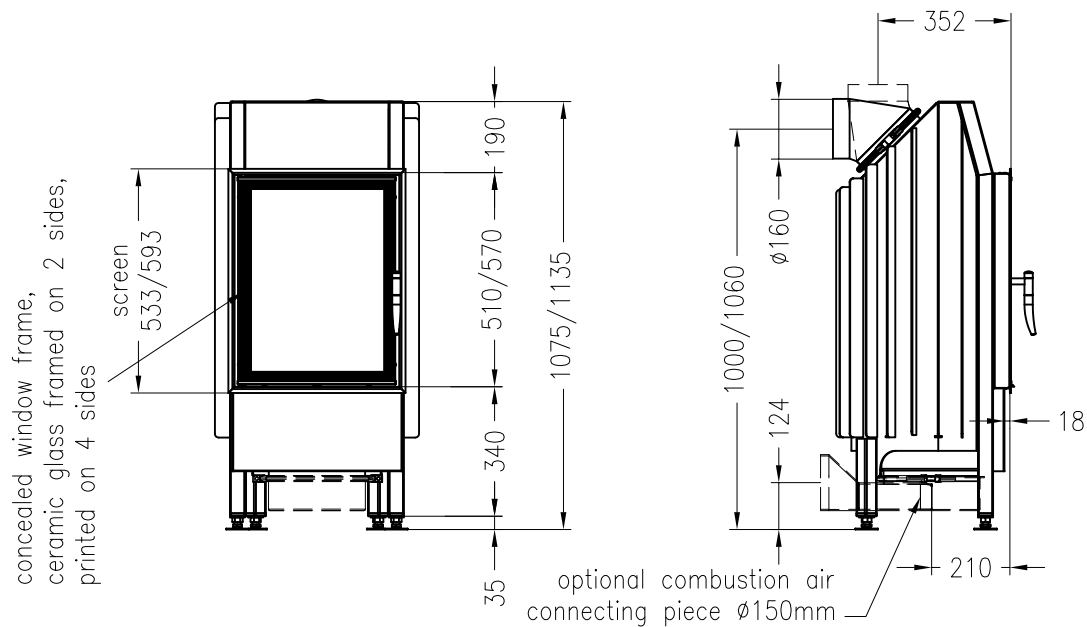


Linear 4S

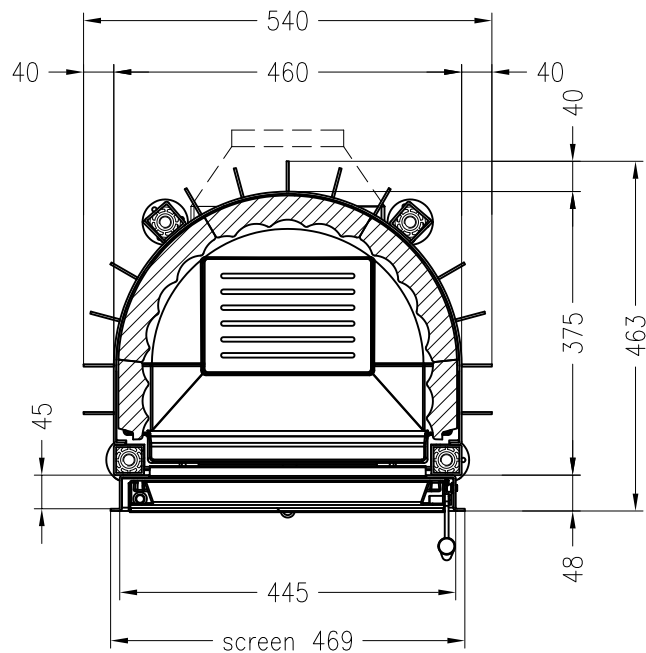
as at: 11/2010

front view
M~1:20

side view
M~1:20



horizontal section
M~1:10



All representations and drawings are protected by applicable copyright laws.
Utilisation or publication, including individual details, only with our written approval.
Technical data subject to change. Errors and omissions excepted.