

Fireplace insert Mini 2R-4S

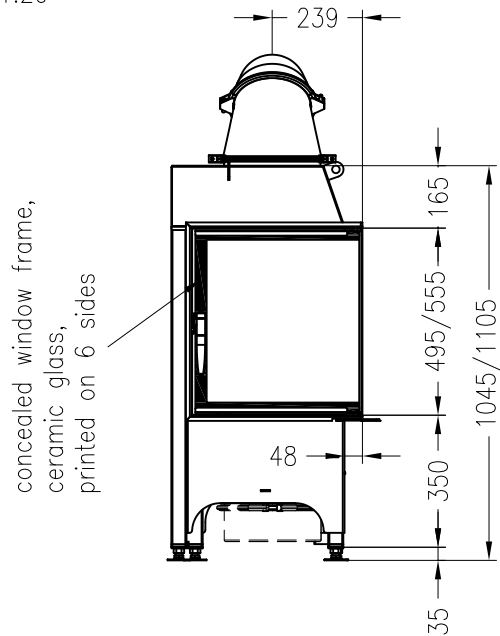
hinged door



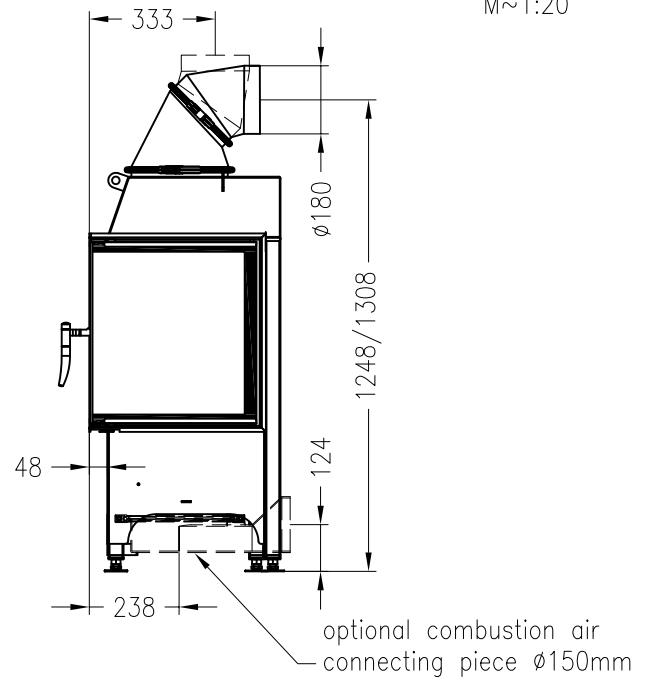
Linear 4S

as at: 11/2010

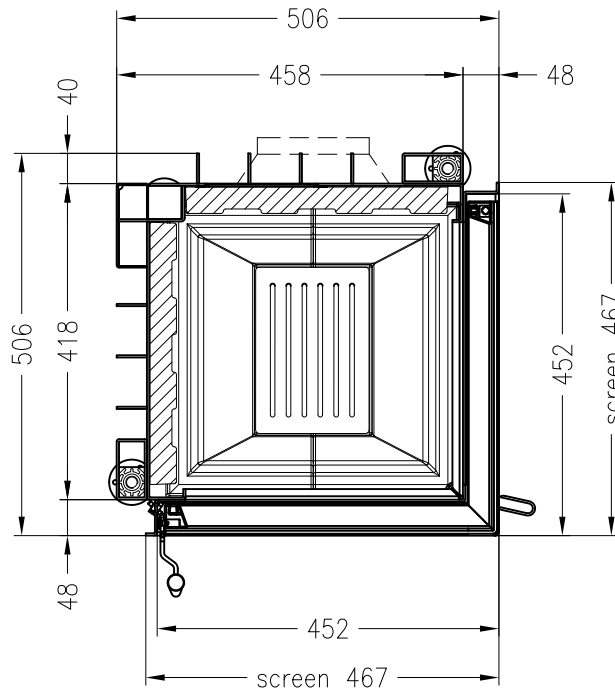
front view
M~1:20



side view
M~1:20



horizontal section
M~1:10



All representations and drawings are protected by applicable copyright laws.
Utilisation or publication, including individual details, only with our written approval.
Technical data subject to change. Errors and omissions excepted.