

Fireplace insert Mini 2LRh-4S

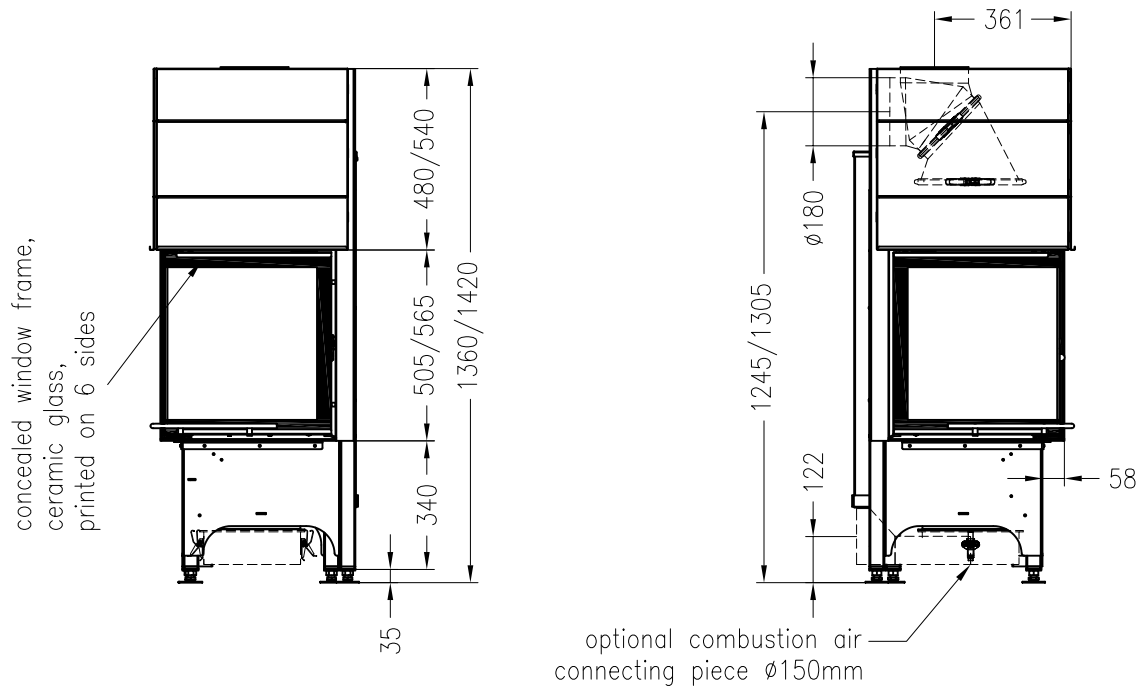
elevating door



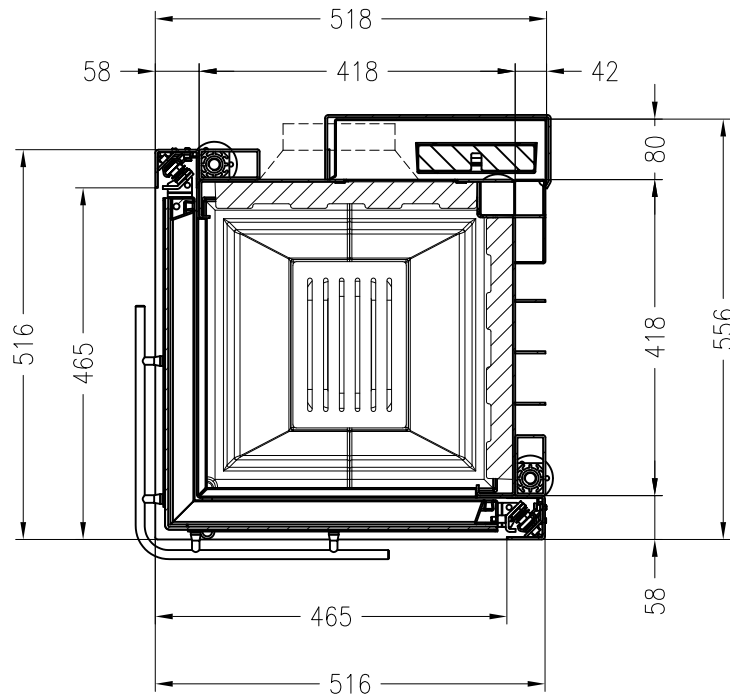
Linear 4S
as at: 03/2015

front view
M~1:20

side view
M~1:20



horizontal section
M~1:10



All representations and drawings are protected by applicable copyright laws.
Utilisation or publication, including individual details, only with our written approval.
Technical data subject to change. Errors and omissions excepted.