

# Fireplace insert Varia Bh-4S

elevating door



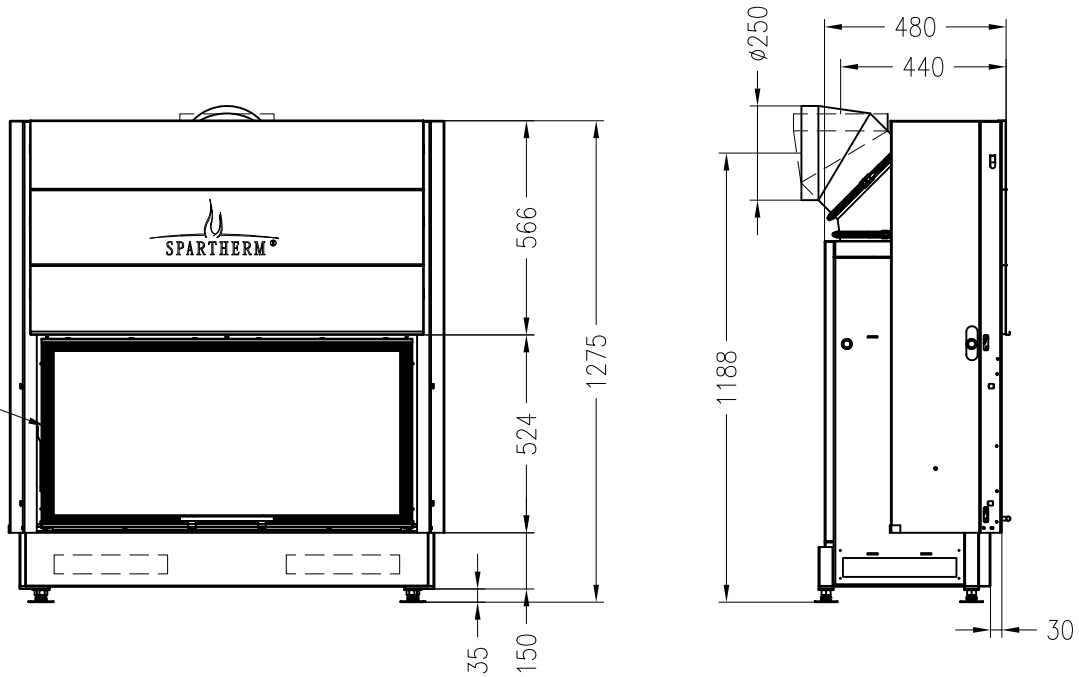
## Linear 4S

as at: 07/2012

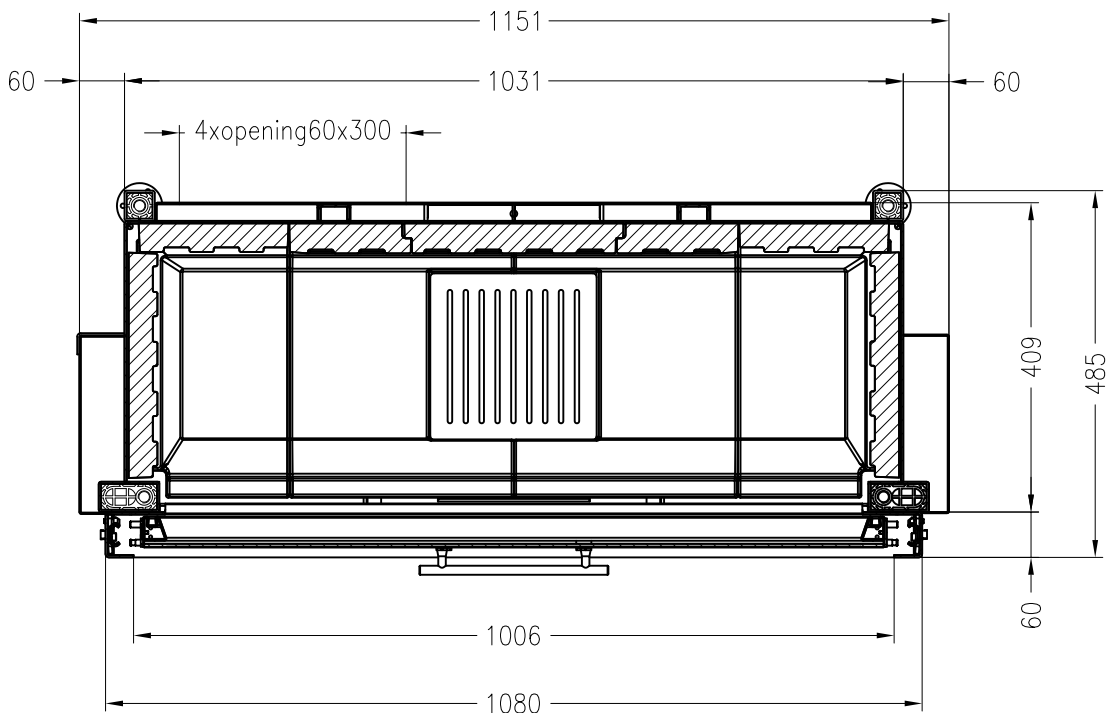
front view  
M~1:20

side view  
M~1:20

concealed window frame,  
ceramic glass framed on 2 sides,  
printed on 4 sides



horizontal section  
M~1:10



All representations and drawings are protected by applicable copyright laws.  
Utilisation or publication, including individual details, only with our written approval.  
Technical data subject to change. Errors and omissions excepted.

# Fireplace insert Varia Bh-3S

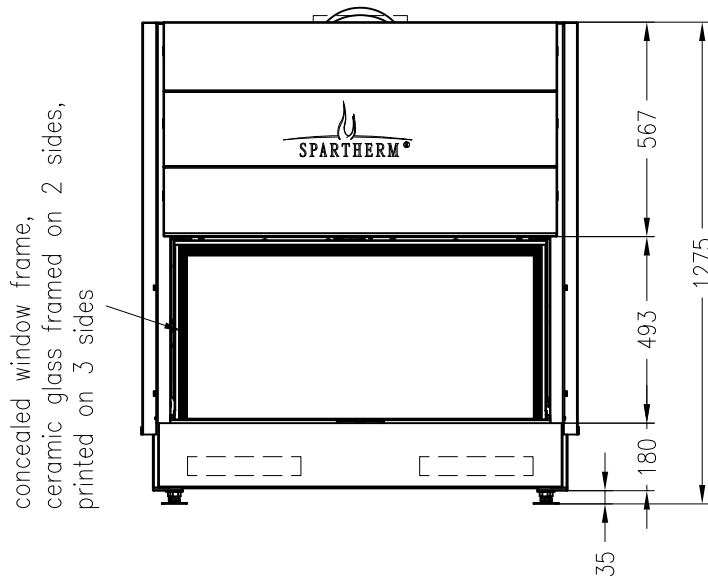
elevating door



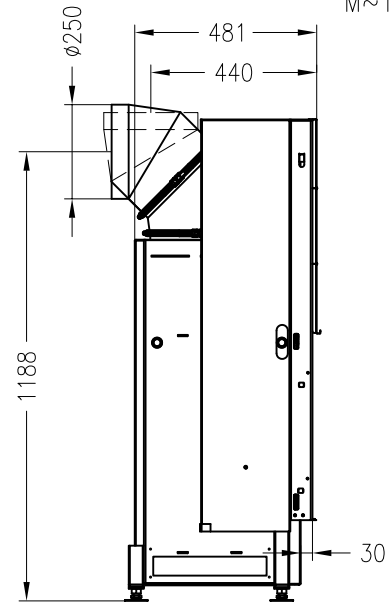
## Linear 3S

as at: 07/2012

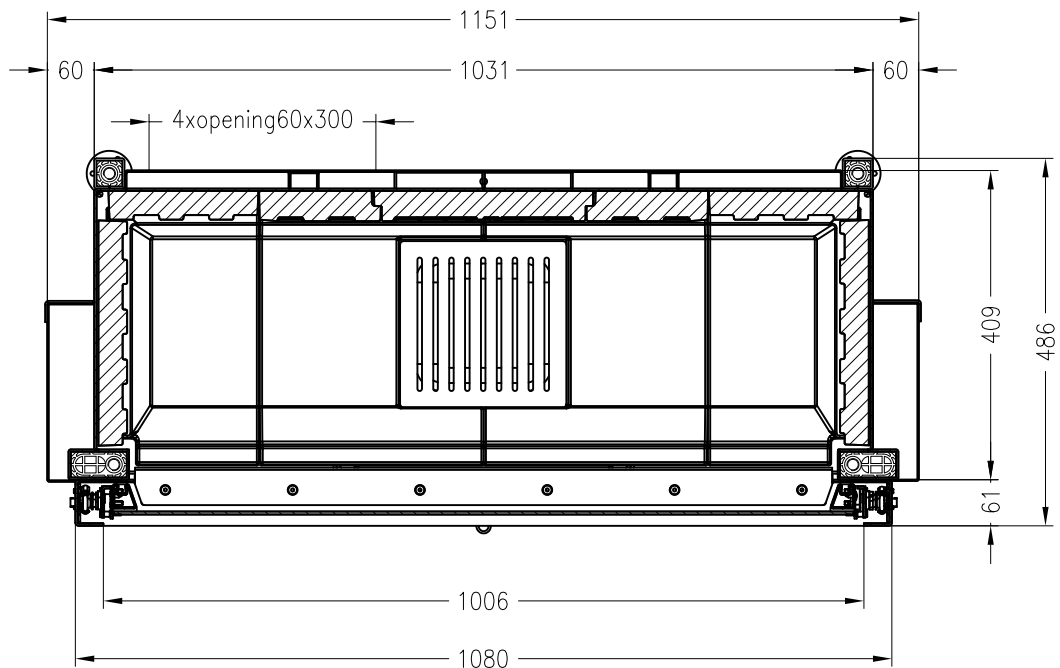
front view  
M~1:20



side view  
M~1:20



horizontal section  
M~1:10



All representations and drawings are protected by applicable copyright laws.  
Utilisation or publication, including individual details, only with our written approval.  
Technical data subject to change. Errors and omissions excepted.